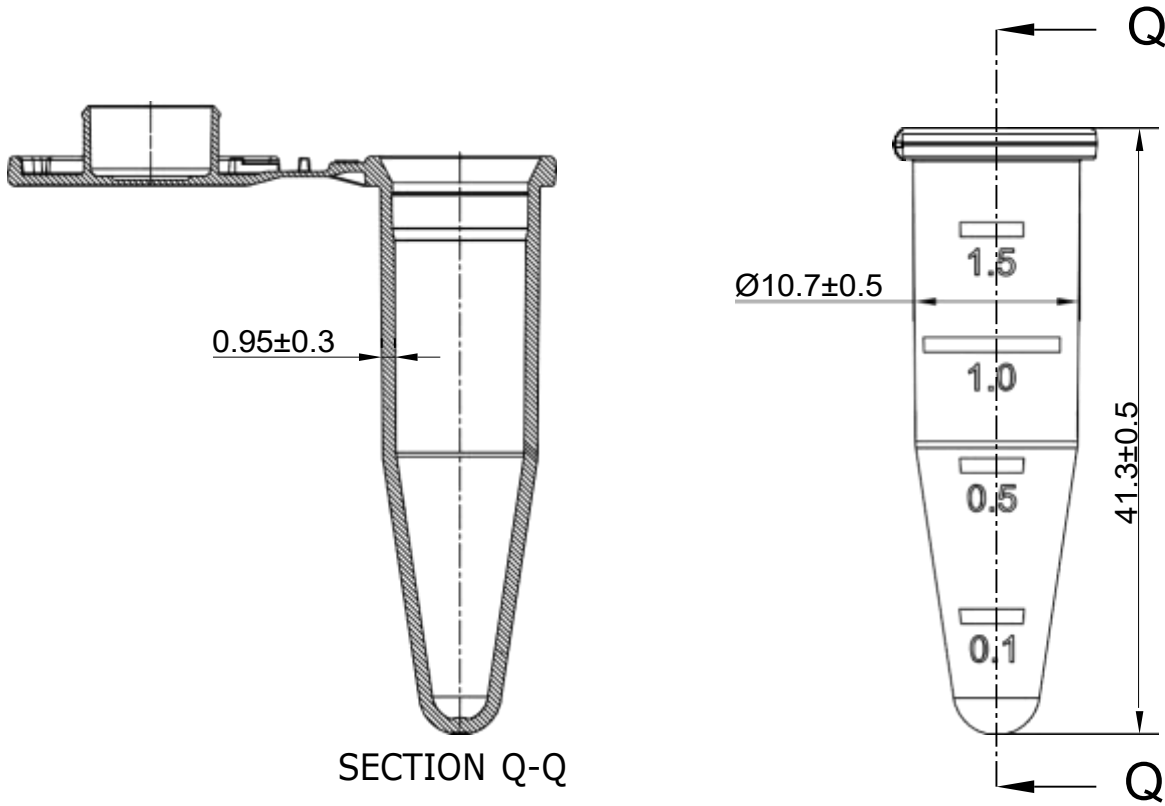
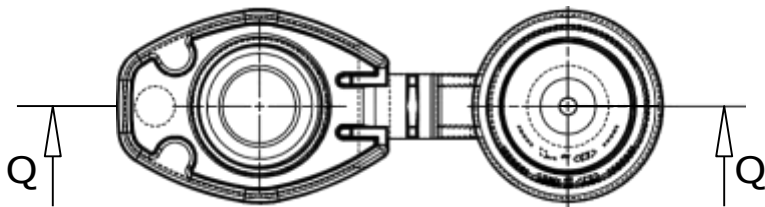


IF IN DOUBT PLEASE ASK
ALL DIMENSIONS ARE IN mm



SECTION Q-Q



CUSTOMER COPY
DATE: 10.07.2025

PP	—	1.15 gms (Approx.)	—	—	00	Customer Copy Drawing	Arunopal	14.01.2023
Material	Shrinkage	Approx Weight	Overall Size	Brimfull volume approx	Rev.no	Revised Details	Revised by	Date
DRAWN	NAME	SIGNATURE	DATE	Angle of Projection	Part Name: SPINWIN Micro Centrifuge Tube, 1.5 ml, Natural			
CHECKED			14.01.2023					
APPROVED			14.01.2023					

Drawing Number.		A4
PCRD-015-500		
SCALE: 2:1		R00
SHEET 1 OF 1		

Labbox
Labbox Labware, S.L.

Remarks:

Unspecified tolerances for open dimensions	
0.00	± 0.05 mm
0.0	± 0.1 mm
0	± 0.5 mm
Angular	± 0.2°